

Flame Group SE

U Vodarny 3032/2a, 616 00 Brno, Czech Republic



FLAMEFOX

FLAMEFOX STONE



User Manual



ALL RIGHTS RESERVED

©2015 Flame Group SE. All rights are reserved. FlameFox brand, the FlameFox logo and the FlameFox icon are trademarks of Flame Group SE. No part of this document can be reproduced without permission. All trademarks and brand names mentioned in this publication are property of their respective owners.

While all the efforts have been made to ensure the accuracy of contents in this manual, we resume no responsibility for errors or omissions or statements of any kind, whether such errors are omissions or statements resulting from negligence, accidents, or any other cause. We operate a policy of continuous development and reserve the right to make changes, modifications and improvements to the device, device features/specifications or any of its parts without prior notice.

Your device may have preinstalled bookmarks and links for third party internet sites and may allow you to access third party sites. These are not affiliated with us, and we do not endorse or assume liability for them. If you access such sites take precautions for security or content.

The limited warranty does not cover user manuals or any third party software, settings, content, data or links, whether included in, or downloaded to the product, whether included during installation, assembly, shipping or any other time in the delivery chain, or otherwise and in any way acquired by you. To the extent permitted by applicable law(s), we do not warrant that any of our software will meet your requirements, will work in combination with any hardware or software applications provided by a third party, that the operations of the software will be uninterrupted or error free or that any defects in the software are correctable or will be corrected.

- User Manual is provided to guide the user about the functionality of the device. It does not constitute any certificate of technology. Some functions may vary due to modifications and upgrades of software, or due to printing mistake.



SAFETY PRECAUTIONS

Please read the following safety guidelines before using the device.

- Do not use the mobile phone while you are driving.
- Do not place magnetic storage media near your mobile phone, as the magnetic force from the device may erase the information stored on it.
- Keep your mobile phone and its accessories away from children.
- Mobile phones can interfere with the functioning of medical devices such as hearing aids or pacemakers. People with active medical implants should keep their mobile phone at least 15 cm away from the implant.
- Permanent hearing loss may occur if you use earphones or headphones at high volume.
- Use a wireless hands-free system (headphone/ headset) with a low power Bluetooth emitter.
- Make sure the mobile phone has a low SAR.
- Keep your calls short or send a text message (SMS) instead. This advice applies specially to children adolescents and pregnant women.
- Use mobile phone when the signal quality is good.

Notice:

- Warranty is invalidated if the mobile phone or accessories are dismantled, the manufacturer will not be liable to pay for damages.
- Only use original batteries and charging devices.
- Back up important data regularly and store it properly. The manufacturer is not liable for any loss of data due to mis-operation, poor signal or power cut, etc.
- All screen images in this manual are for reference only content displayed may depend on the pre-setting of the service provider, the network operator or the SIM card. If any functions referred to in this manual are different from those of your device, please follow your device.
- Do not put use it in a place with flammable gas such as a petrol pumps. The temperature recommended for using the device is 10-55°C. Do not touch the charger, power cable or socket with wet hands. This may cause an electric shock.
- Our cellular phones are in accordance with the communication industry standards of PRC, and also according in accordance with standards of European, and are approved for GSM networks.
- Your phone may be used internationally with various networks depending on your roaming arrangements with your service provider.
- Only use the chargers listed in the manufacturer's catalogue should be used.
- Using any other charger may be dangerous and would also invalidate your warranty. Line voltage must be exactly the one indicated on the charger's serial plate.
- Your phone is a radio transmitter which may interfere with electronic medical equipment or implants, such as hearing aids, pacemakers, insulin pumps, etc.
- It is recommended that a minimum separation of 15cm be maintained between the phone and an implant.
- If your mobile phone or any of its accessories do not function normally, please contact our customer support. The qualified personnel will assist you, and if necessary will arrange for a repair.



TABLE OF CONTENT

ALL RIGHTS RESERVED

SAFETY PRECAUTIONS

TABLE OF CONTENTS

1. UNDERSTANDING YOUR DEVICE

1.1. GENERAL INFO

1.2. DEVICE OVERVIEW

2. GETTING STARTED

2.1. INSTALLING CARDS & BATTERY

2.2. POWERING ON/OFF THE DEVICE

3. BASIC OPERATIONS

3.1. CALLING

3.2. MESSAGING

3.3. CONTACTS

4. CALL CENTER

4.1 CALL SETTINGS

5. SETTINGS

5.1. PHONE SETTINGS

5.2. NETWORK SETTINGS

5.3. SECURITY SETTINGS

5.4. CONNECTIVITY

5.5. RESTORE SETTINGS

5.6. SOUND EFFECTS

6. MULTIMEDIA

6.1. CAMERA

6.2. IMAGE VIEWER

6.3. VIDEO RECORDER

6.4. MEDIA PLAYER

6.5. SOUND RECORDER

6.6. FM RADIO

7. CALCULATOR

8. GAMES

9. ORGANIZER

9.1. CALENDAR

9.2. ALARM

9.3. WORLD CLOCK

9.4. NOTES

9.5. CURRENCY CONVERTER

9.6. STOPWATCH

10. FILE MANAGER

11. ACCESSORIES

12. ENVIRONMENTAL CONCERN

1. UNDERSTANDING YOUR DEVICE

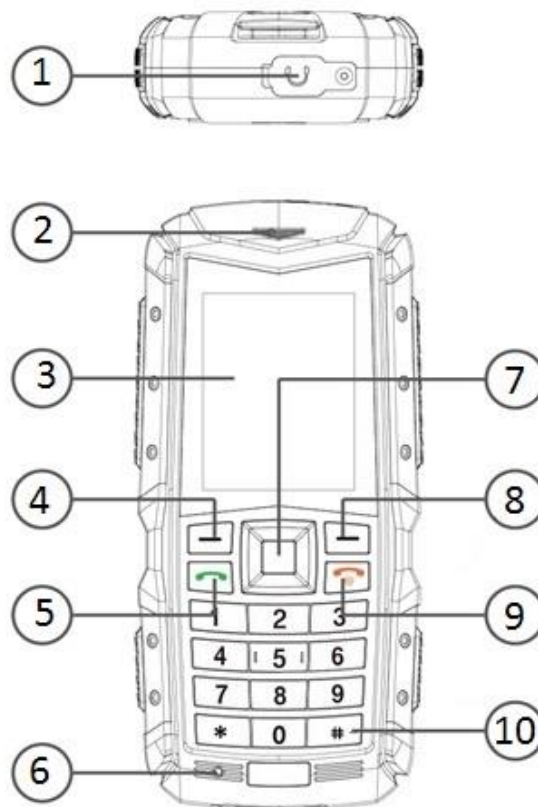
1.1 GENERAL INFO

FlameFox Stone has a 2.0" QVGA screen with 240*320 resolution. It has a fixed focus back camera, with 2560 mAh battery and expandable memory. It supports MMS, SMS and Bluetooth.

FlameFox Stone has an IP rating of 67 which means it is waterproof for 30 minutes at 1 meter depth and impervious to dust. For these feature to work effectively the back cover must be fastened securely and as well as the USB and headphone covers being closed.

1.2 DEVICE OVERVIEW

Front panel:



- (1) Headphone jack 3.5mm
- (2) Front speaker
- (3) Display
- (4) Left soft key
- (5) Call key SIM1/SIM2
- (6) Microphone
- (7) Cursor. Allows scrolling up/down/left/right
- (8) Right soft key
- (9) «Cancel / Switching on and off» key
- (10) Keypad

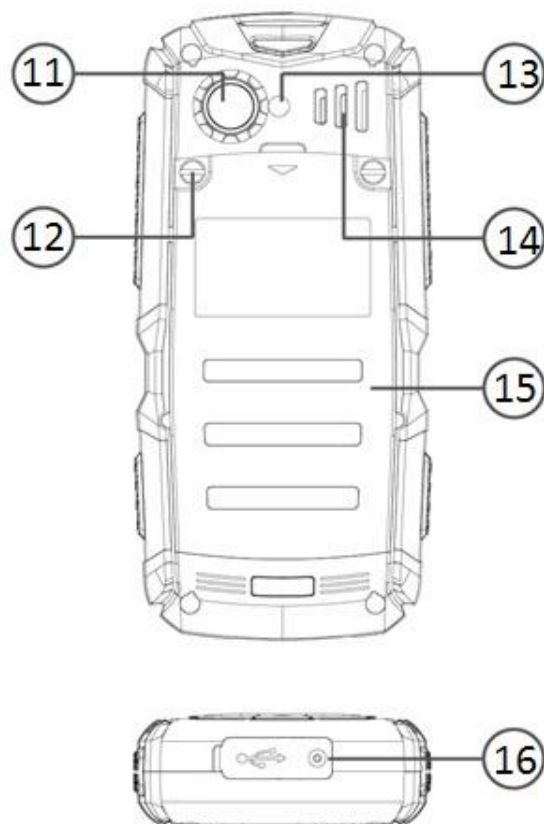
Flame Group SE

U Vodarny 3032/2a, 616 00 Brno, Czech Republic



FLAMEFOX

Back panel:



- (11) Camera 2.0 MP
- (12) Cover mount of the battery compartment
- (13) LED torch/flash
- (14) Rear speaker
- (15) Battery cover
- (16) micro-USB slot



2. GETTING STARTED

2.1 INSTALLING SIM CARDS & BATTERY



Please switch off your device before removing the battery, inserting a SIM or memory card.

Installing Battery


To install the battery please follow the steps below:

- Remove the back cover of the device using the key provided to loosen the screws first.
- Hold the device with the front facing downwards.
- Insert the battery ensuring it is the correct way round.
- Replace the battery cover until it clicks into place using the key provided to fasten the screws.

Charging the Battery

The device prompts a warning tone and message indicating insufficient battery when the battery power is low. Please follow the instructions below to charge your device:

- Plug the connector of the charger into the micro USB port on the device.
- Plug the charger into a standard AC wall outlet.

Charging 

Fully Charged 

It is recommended to fully charge the battery before using the device for the first time.

Installing SIM Card

In order to install you SIM card, follow the steps below:

- Remove the back cover of the device using the key provided to loosen the screws first.
- Hold the device with the front facing downwards.
- Remove the battery.
- Insert the SIM card into the device as shown below.
- Replace the battery.
- Replace the battery cover until it clicks into place.

Installing Memory Card



Your device supports micro SD card, which is a multimedia memory card used to increase the memory of the device. The micro SD card is small and should be installed carefully to avoid any kind of damage. Please follow the steps below to install the memory card in the device:

- Remove the back cover of the device using the key provided to loosen the screws first.
- Hold the device with the front facing downwards.
- Remove the battery
- Slot the micro SD card into the device as shown below.
- Replace the battery.
- Replace the battery cover until it clicks into place using the key provided to fasten the screws.

2.2 POWERING ON/OFF THE DEVICE

Turning On the Device

After installing the SIM card and charging the battery, you are now ready to turn on your device.

- Press and hold the Power Key to turn on the device.

Turning Off the Device

- Press and hold the Power Key for 3 seconds.

3. BASIC OPERATIONS

3.1 CALLING

Making Calls

If the icon network strength icon is visible in the information bar at the top of the screen, then you can make or receive calls. To make a call, follow the steps below:

- Direct dial
In standby mode, press the corresponding numeric keys to enter the phone number that you want to dial, including necessary area codes. Short press the Right soft key [Clear] to delete any numbers. To make the call short press the green key.
- International call
To make an international call, long press * key until the prefix symbol "+" of international call displays in screen.
- Dialing from contact list
Enter the Contacts list via the main menu, use the Up/Down Navigator keys to scroll to the desired contact, or press the first letter of the name of the desired contact for quick search. With the contact highlighted press the green key to initiate the call.
- Dialing from call history
Enter the Call Center (press the Green key from standby or via the main menu), use the Up/Down navigation keys to scroll to the desired contact, press the green key to initiate a call to the highlighted number.

Answer/Reject an Incoming Call

When you receive an incoming call, details of the contact name/number are displayed.

- Press the call key the incoming call.
- Press the power key once to reject the call.

Other Options during the call

To put a call on hold. If you are on a call you can put the call on hold by selecting Options - Hold.

In call options menu:

- Swap –Switch between active calls
- Conference – Multi-call options. The availability of this option depends on your service provider.



- End single call - End the current call.
- End all calls- End all active calls
- New call – Launches the dialer and a new call can be initiated
- Phonebook – Launched phonebook interface
- Messaging – Launches messaging menu
- Sound recorder - Record the current call. Note - Recording of the call, in some countries is illegal. Therefore, when you record calls, should seek prior approval from the other party.
- Mute – Mutes the outgoing audio so you cannot be heard by the other party
- Volume – Increase and decrease the volume of the ongoing call.

3.2 MESSAGING

Your device is capable of sending and receiving of SMS (Short Message Service) and MMS (Multimedia Message Service).

Creating an SMS

- From the main menu, select ‘Messaging’ – ‘Write message’ - ‘Text message’
- Select ‘Options’ – ‘Send to’ to enter a number or select a recipient contact
- Once recipient is specified, select ‘Options’ – ‘Send’ to send the message. Creating an MMS

Your device comes preloaded with some MMS settings. Additional settings can be added by accessing:
Settings -> Connectivity -> Data Accounts -> Options ->Add PS Account

To activate a different preloaded MMS profile go to the following menu:
Message settings – Multimedia Message – Data account

A multimedia message or MMS can contain letters, pictures, audio files or video files. To create and send a MMS follow the steps below:

- From the main menu, select ‘Messages’ – ‘Write message’ - ‘Multimedia message’
- Select ‘Options’ – ‘Send to’ to enter a number or select a recipient contact
- Select ‘Options’ to display MMS options where sounds, images and videos can be attached to the message.
- Once recipient is specified, select ‘Options’ – ‘Send’ to send the message.

In order to send/receive more MMS messages a memory card can be inserted to extend the memory capabilities of the handset.

Inbox

Received SMS and MMS messages are accessed here.

To open received messages highlight the message and select the center key.

In message list, press the OK key to read the selected message or press the left soft key [Options] to launch the following menu:

- View - View the current message
- Reply by SMS - Reply SMS to the message sender directly.
- Reply by MMS - Reply MMS to the message sender directly.
- Call Sender - Select to call the sender number.
- Forward - Forward the current message to other number.
- Delete - Delete the highlighted message.
- Delete all - Delete all messages in inbox.



- Delete several - Multiple messages can be highlighted and deleted.
- Save to phonebook - Save the information in the sender number to the phonebook.

3.3 CONTACTS

Contact details (name and number) are stored in the phonebook. You can save information such as name and phone number.

To add a Contact

- From the main menu select 'Contacts'
- Select the 'Add new contact' option
- Select 'To SIM' or 'To Phone'.
- Enter contact information (Name, number, email address)
- Select 'Options' – 'Save' to save the newly added contact.

Contact options

- View - View the selected contact
- Send text message - Send SMS to the selected contact
- Send multimedia message - Send MMS to the selected contact
- Call - Call the selected contact
- Edit - You can edit the details of the highlighted contact
- Delete - Delete the highlighted contact
- Copy - Copy the highlighted contact to "SIM" or "phone"
- Move - Move the highlighted contact to "SIM" or "phone"

Phonebook settings

Speed dial - Contacts can be assigned to numbered shortcuts.

Use the OK key at 'Enable speed dial' option to turn speed dial function on or off. Select 'Set number', scroll to a key number (8 available, from 2 to 9), press the OK key and select 'Edit', scroll to the desired number to set as speed dial number for the key and press the OK key.

When a number is assigned to a speed dial and the function is enabled, you can simply press and hold the corresponding numeric key on idle screen to dial the assigned contact automatically.

Memory status: View the used memory of the SIM card and phone's phone book. The capacity of SIM card varies between different SIM cards.

Copy contacts: Contacts can be copied between SIM and Phone memories

Move contacts: Contacts can be moved between SIM and Phone memories

Delete all contacts: Select to delete the contacts from SIM or the phone memory.

4. CALL CENTER

All received calls, dialled numbers and missed calls as well as their call time are recorded in the call history section of your phone.

Call history can be accessed by pressing the Green key from standby or accessed through the 'Call Center' - 'Call History' menu through the main menu.

If accessed through the menu item, the submenus are as follows:

- Missed calls
- Dialed calls
- Received calls



- Delete call logs
- Call timers
- GPRS counter

Missed/dialed/Received

In the missed, dialed and received calls lists the following actions are applicable:

- Green key – Make a call to the highlighted number/contact
- Centre key [OK] - View the details of highlighted call record
- Left soft key to launch the options menu as displayed below

View: View the details of current call record.

Call: call current record.

Send text message: send SMS to the select number

Send multimedia message: send SMS to the select number

Save to phonebook: Store the number as a phonebook entry.

Add to Blacklist: Add the highlighted number to the blacklist so that the number will be rejected.

Delete: Delete the current call record.

4.1 CALL SETTINGS

- **Call waiting**

You can choose to Activate, deactivate or query status of this feature. If activated, you will be notified when a call in received whilst another call is ongoing.

- **Call divert**

This feature allows you to divert to your phone calls to your voice mailbox or another phone number you specify. This function needs the support of network operator.

- **Call barring**

Barring restrictions can be set on incoming and outgoing calls. This function needs the support of network operator, please contact the network operator for further information.

- **Advanced settings**

Blacklist

Enable this feature to ensure all calls from blacklisted numbers are rejected.

Auto redial

You can enable or disable this feature. If the feature is turned on then is a call is not successful then it will be automatically redialed up to 10 times.

Call time display

When set, the ongoing duration of the current call is displayed on the in call display.

Call time reminder

When set, an in call beep will sound after the selected time period. This can be after a specified number of seconds or you can select a time period after which the beep will sound.

Answer mode

Any key – When set, any key will answer incoming calls with the exception of the right soft key and the end key.

Auto answer when headset - When set, incoming calls will automatically be answered if a headset is inserted.

5. SETTINGS

5.1 PHONE SETTINGS

Time and date

- Set home city: You can choose a home city from the list to set as the phone home time zone.

Flame Group SE

U Vodarny 3032/2a, 616 00 Brno, Czech Republic



FLAMEFOX

- Set time/date: Under this you can set the phone to the current date and time. The phone allows you to set the date range of calendar 2000 to 2030.
- Set format: Under this you can set the time and date display format.

Schedule power on/off

- Set a specific time for the handset to power on or off.

Language

- Under this menu you can choose the language that the phone menus are displayed in.

Writing Language

- Under this menu you can choose the language that the text input will be set to be default..

Display

- Wallpaper: The standby image displayed for background wallpaper. You can choose from the built-in wallpaper and an image saved on the phone memory or memory card.

Screen auto lock

- Under this you can set the time before the screen automatically locks. After the screen has automatically locked press the left soft key + * key to unlock. Show date and time: You can set the idle screen time display on or off.

Power on display and Power off display

- Preloaded and custom user images that will be displayed when the handset is powered on/off.

Show date and time

- Determines whether or not the current date and time will be displayed on the home screen.

Dedicated keys

- You can change navigation key shortcuts that are active when on idle screen

Flight mode

- Switch between normal and flight mode. When flight mode is active all network and data related functions will be restricted.

5.2 NETWORK SETTINGS

Set network related settings such as network selection and the use of GPRS. Automatic or manual network selection is available to determine the network that is camped onto.

5.3 SECURITY SETTINGS

SIM security

You can set and enable the PIN code and PIN² codes. Note that if the input PIN code wrong three times, the SIM card will automatically lock and unlock and a PUK code will be required to unlock. Please contact your SIM card provider for more details regarding PUK codes.

PIN lock

Under this you can enable or disable PIN password. When this feature is enabled, every time you turn the phone prompts you to enter the PIN password.

Change PIN

If the current PIN password is already activated, you can make changes to the PIN password. First enter the old PIN password twice and then specify the desired, new password for future use.

Change PIN2

PIN2 password is used to access a particular function (such as setting a fixed number, set the call billing, etc.)

If PIN2 is entered incorrectly 3 times a PUK2 code will be required to unlock.

Phone security

A phone passcode can be set to avoid unauthorized use of your mobile phone.

Phone lock



Under this you can enable or disable phone password. To do so, the phone password must be entered. The default code is 0000. When this feature is enabled, every time you turn the phone on you are prompted to enter the password.

Change password

You can make changes to the phone password. First enter the old phone password, and then enter the newly selected password twice to confirm.

5.4 CONNECTIVITY

Bluetooth

You can transfer data, such as images and videos to other devices using Bluetooth. Search for devices and accept/transfer data. The received data is automatically stored in your phone.

Bluetooth options

- Power: Switch Bluetooth on and off
- Visibility: If your device is visible other Bluetooth devices can find the phone; if you select off, other Bluetooth devices can't find the phone.
- My device: Select to add new equipment and search for Bluetooth devices within range of the signal. After the Bluetooth device is found, you can select the device you wish to connect with.
- Search audio device: Initiate a search for audio devices such as headsets and car kits which can then be paired with.
- My name: Modify the Bluetooth device name that other users can identify your device with.

Data account

Preloaded MMS accounts are displayed. These accounts can be manually edited, deleted and added.

5.5 RESTORE SETTINGS

Reset the phone settings to default using this feature. The phone password is required to use this feature. Default password is 0000.

5.6 SOUND EFFECTS

Audio effects such as equalizer can be enabled in this menu.

6. MULTIMEDIA

6.1 CAMERA

Your phone is fitted with camera which allows you to take photos. You can store the pictures on the phone memory or on the inserted memory card. In the multimedia menu, select the camera to launch the camera preview screen. Press the OK key to take photo, press the right soft key to return, press the left soft key to launch the following options menu:

Camera Options

- Photos - Launches the image viewer list
- Camera settings - Modify settings such as Anti-flicker and Delay timer.
- Image settings - Image quality and image size can be modified
- White balance - Image effect can be set
- Scene mode - Select between automatic and night camera modes
- Effect settings - Select the effects to be used when pictures are taken.
- Storage - Choose the default image saving location as phone memory or memory card.
- Restore default - Camera parameters can be restored back to their default values/

6.2 IMAGE VIEWER



This feature is convenient for users to view the photos stored in on the phone or memory card. Press the OK key to open the picture or press the left soft key to open the option menu:

- View - Open the current image to view.
- Send - Pictures can be sent via "MMS" or "Bluetooth".
- Use as - Picture can be set as idle screen wallpaper.
- Rename: Change the name of the selected picture.
- Delete - Delete the selected image.
- Delete all files - Delete all images.
- Storage - Phone or memory card can be set as the default image viewer
- Image information - Display the current image information.

6.3 VIDEO RECORDER

In the multimedia menu, select the video recorder to launch the video preview screen

- Press the center key to start recording
- Press up/down navigation key to adjust the focal distance
- Press the left soft key the launch the options menu
- Camcorder settings - Anti-flicker settings can be modified.
- Video settings - Can set the video quality
- Storage - You can set phone or memory card as storage location for recorded videos.

6.4 MEDIA PLAYER

This feature can be used to play video or audio files stored on the phone memory or inserted memory card.

The supported video formats are AVI & 3GP files, Audio formats are MP3, MID & WAV. In the 'All songs' & 'All videos' menu, select the video & audio files to play in the list, press left soft key open the option menu:

- Play - Play the current video or audio file
- Refresh - Refresh the list of phone memory or inserted memory card.
- Send - Videos can be sent via "MMS" or "Bluetooth"
- Delete - Delete the selected video.

6.5 SOUND RECORDER

Audio can be recorded through this feature.

- Launch Sounds Recorder through the multimedia menu
- Press the left soft key [Options]
- Select 'New Record' and the recording starts.

The recorded audio files can also be renamed, sent and deleted when the options in list view is accessed.

6.6 FM RADIO

You can use your mobile phone to listen to FM radio stations once a supported headset is plugged into the handset. Please press the side key to adjust music volume.

- Ensure headset in inserted
- Launch FM Radio from multimedia menu
- Press middle key to switch radio on and off.
- The up and down navigation keys manually scroll through radio frequencies.
- The left and right navigation keys scroll through radio stations.

Radio options menu



Channel list – Radio stations names and frequencies can be saved. When in FM Radio pressing the corresponding key will tune into the specified frequency.

Manual input – Radio frequency can be manually entered.

Auto search – Automatically searches and saves the found frequencies.

7. CALCULATOR

Calculator helps you perform basic arithmetic functions, such as addition, subtraction, multiplication and division. The navigation keys correspond to the arithmetic function displayed in the calculator display.

- Left navigation key – Multiply
- Right navigation key – Divide
- Up navigation key – Add
- Down navigation key – Subtract
- Middle key - Equals

8. GAMES

Preloaded 'Puzzle' game can be enjoyed from this menu.

9. ORGANIZER

The next menu was built under "Organizer".

9.1 CALENDAR

Calendar can be used to check the current date and plan events. **Calendar options:**

- View: Select the highlighted date to view the events on that date
- Add event: Add an event to the calendar
- Delete: Delete 'All', 'Overdue' events or events form a specific period using this options.
- Jump to date: Jump the selected date.
- Go to today: the date of the input query calendar information
- Go to weekly/monthly view: can set the calendar display mode through week or month.

9.2 ALARM

Alarms can be set to sound at the specified time. To add a new alarm follow these steps:

- Launch the alarm feature through the 'Extras' menu.
- Highlight an alarm and select 'Edit'.
- In the status menu select 'On'.
- Select time for alarm to sound and repeat value.
- Select 'Options' – 'Save' and alarm is set.

When an alarm is active a bell icon is displayed at the top of the idle screen and the alarm will be checked in the list.

9.3 WORLD CLOCK

In this menu, press the left / right navigation key to view the time zone of cities round the world.

9.4 NOTES

Quick notes can be added through this menu

9.5 CURRENCY CONVERTER



The rate of currency conversion can be set here enabling you to easily work out how much something costs when abroad.

- Select Currency Converter
- Enter rate of conversion and select OK
- Enter a value in Local or Foreign fields and select OK
- The value will be converted into the empty field

9.6 STOPWATCH

Typical stopwatch and working next functions:

- Split timing – Record multiple split times
- Lap timing – Record multiple lap times
- View record – View all the saved times.

10. FILEMANAGER

Files saved on the phone or memory card can be viewed and used here.

File manager options:

- Open - Open the file or folder.
- New Folder - Create a new folder in which files can be stored
- Rename - The selected file or folder can be renamed.
- Delete - The selected file or folder can be deleted.
- Use as - If the selected file is an audio files it can be set as the ringtone for incoming calls.If the selected file is image file, it can be set as wallpaper.
- Sort by - can "name", "time", "size", "type" or "none".
- Send - The selected file can send by MMS or Bluetooth
- Copy - you can copy the select file to other folders.
- Move - you can move the select file to other folders.
- Details - you can view the select file information.

11. ACCESSORIES

Use only batteries, chargers, and accessories approved by the manufacturer with this device. Use of any other types will invalidate the warranty and may be dangerous. Check with your dealer for available accessories. You may options to buy:

Extra Battery

Extra batteries of various capacities are available from our company or through your dealer.

Charger Plug, charger cable

Charger plug used to connect with the charger cable for charging on wall outlets. Also you can use the charger cable to connect with the other devices such as the personal computers to charge the phone. Charging time from empty is about 2 to 3 hours. The charging condition is displayed on screen. You may use your phone while charging.

Earphone

A mini, practical, hands-free device; you can use its button to answer and end calls. Do not plug or unplug the earphone when connecting dialed or incoming calls.

12. ENVIRONMENTAL CONCEPT

Help us save the environment...GO GREEN!

All our endeavors are directed towards providing environmentally aware products to you. The materials used in our devices are recyclable and can be reused to make new products. We strive to make products that are safe for



our consumers as well as the environment. Preserve natural resources for future generations by recycling your mobile phone. Your mobile phone contains some metals which, when recycled properly, can be put back into circulation, decreasing the need for new metal mining. Recycling reduces the need for raw materials, saves energy, helps mitigate global warming and reduces pollution, therefore preserving natural resources for the future. Follow some simple steps and contribute towards saving the planet:

DO

- Recycle your handset and its accessories.
- To protect natural resources and to promote re-use of the material, kindly separate batteries from other type of waste.

DONT

- Do not dispose of your mobile and its battery in fire.
- Do not dispose your mobile with the regular waste.
- Do not over charge your handset. Remove the charger when battery is full.



This logo signifies that this product and/or its accessories should not be disposed of with other household waste.

Hazards of improper handling, accidental breakage, damage and /or improper recycling of hazardous elements, can result in the following:

- When burned, cancer-producing dioxins can be released into the air we breathe; If thrown in landfills, leaching into groundwater affecting your local community
- In warm climates, the oxidation of mercury in the environment can be accelerated, leading to the creation of oxidized Hg atoms that are known to be associated with ozone depletion.
- Improper recycling additionally results in data security issues, as private electronic information remains on hard drive, if not properly removed before disposal.

How to Recycle

Please get your electronics products recycled only through authorized recyclers, approved by Pollution Control Board. We provide facility of recycling of our products, for details please visit our website or call our customer care. Help us to GO GREEN.

Constitution of Hazardous Elements in your Device:

Your device does not contain the following hazardous elements in a proportion higher than the limits provided hereunder: maximum concentration value of 0.1% by weight in homogenous materials for lead, mercury, hexavalent chromium, polybrominated biphenyls and polybrominated diphenyl ethers; and maximum concentration value of 0.01% by weight in homogenous materials for cadmium.

Body-worn Operation

This device was tested for typical body-worn operations. To comply with RF exposure requirements, a minimum separation distance of 1.5 cm must be maintained between the user's body and the handset, including the antenna. Third-party belt-clips, holsters, and similar accessories used by this device should not contain any metallic components. Body-worn accessories that do not meet these requirements may not comply with RF exposure requirements and should be avoided. Use only the supplied or an approved antenna. Unauthorized antennas, modifications, or attachments could impair call quality, damage the phone, or result in violation of regulations. Do not use the phone with a damaged antenna. If a damaged antenna comes into contact with the skin, a minor burn may result. Please contact your local service partner for replacement of antenna.